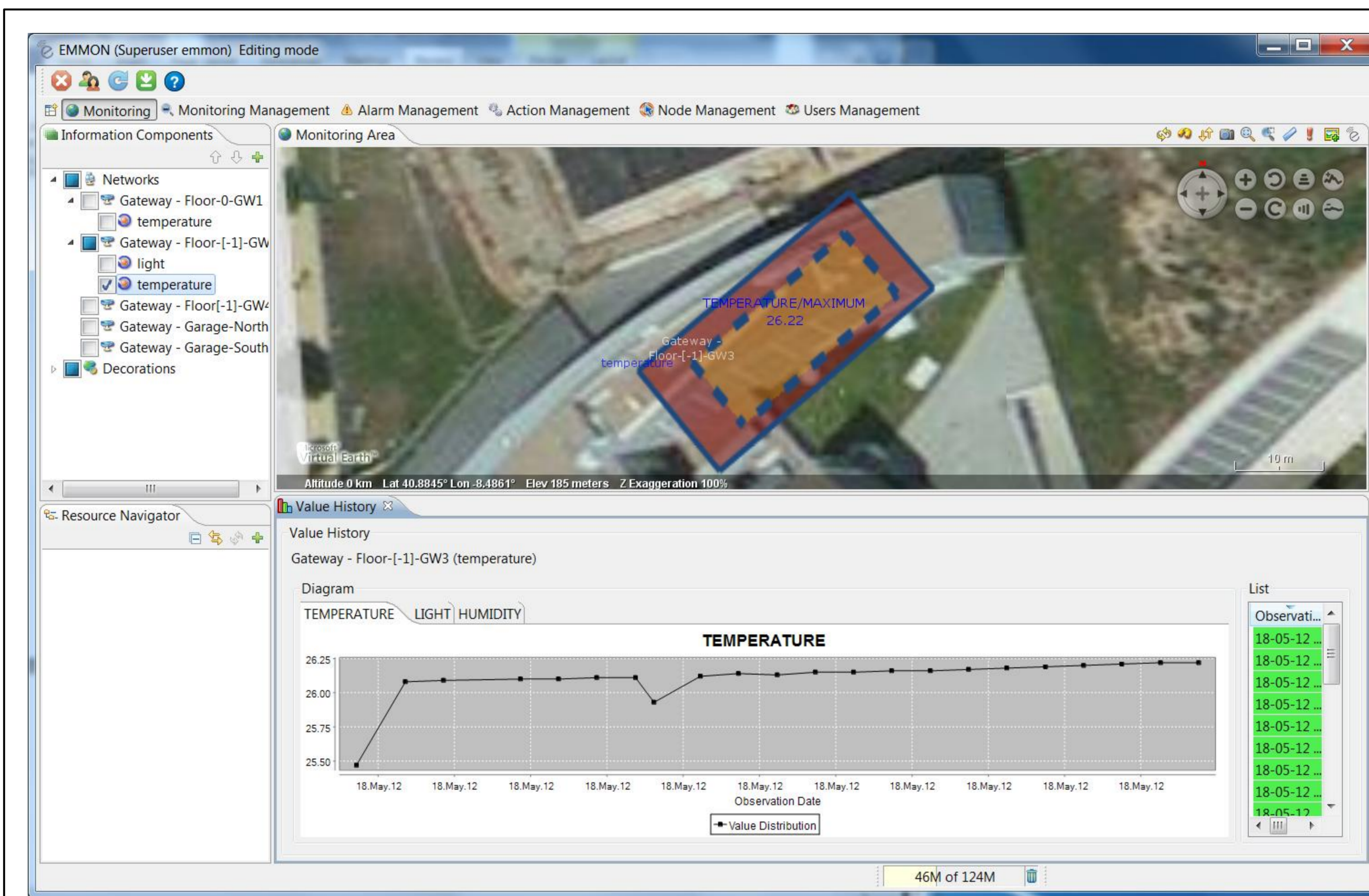
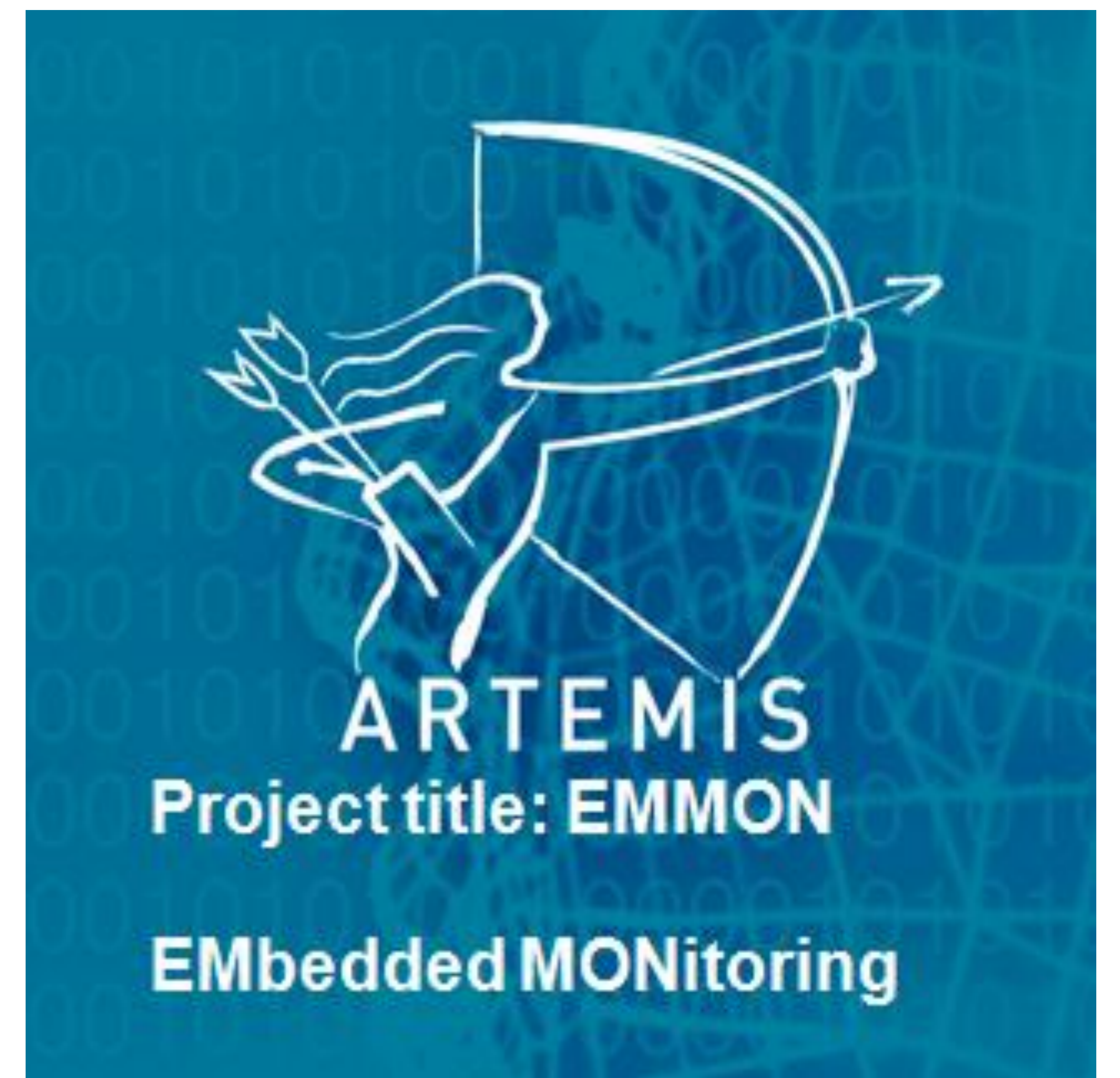




EMMON Command & Control

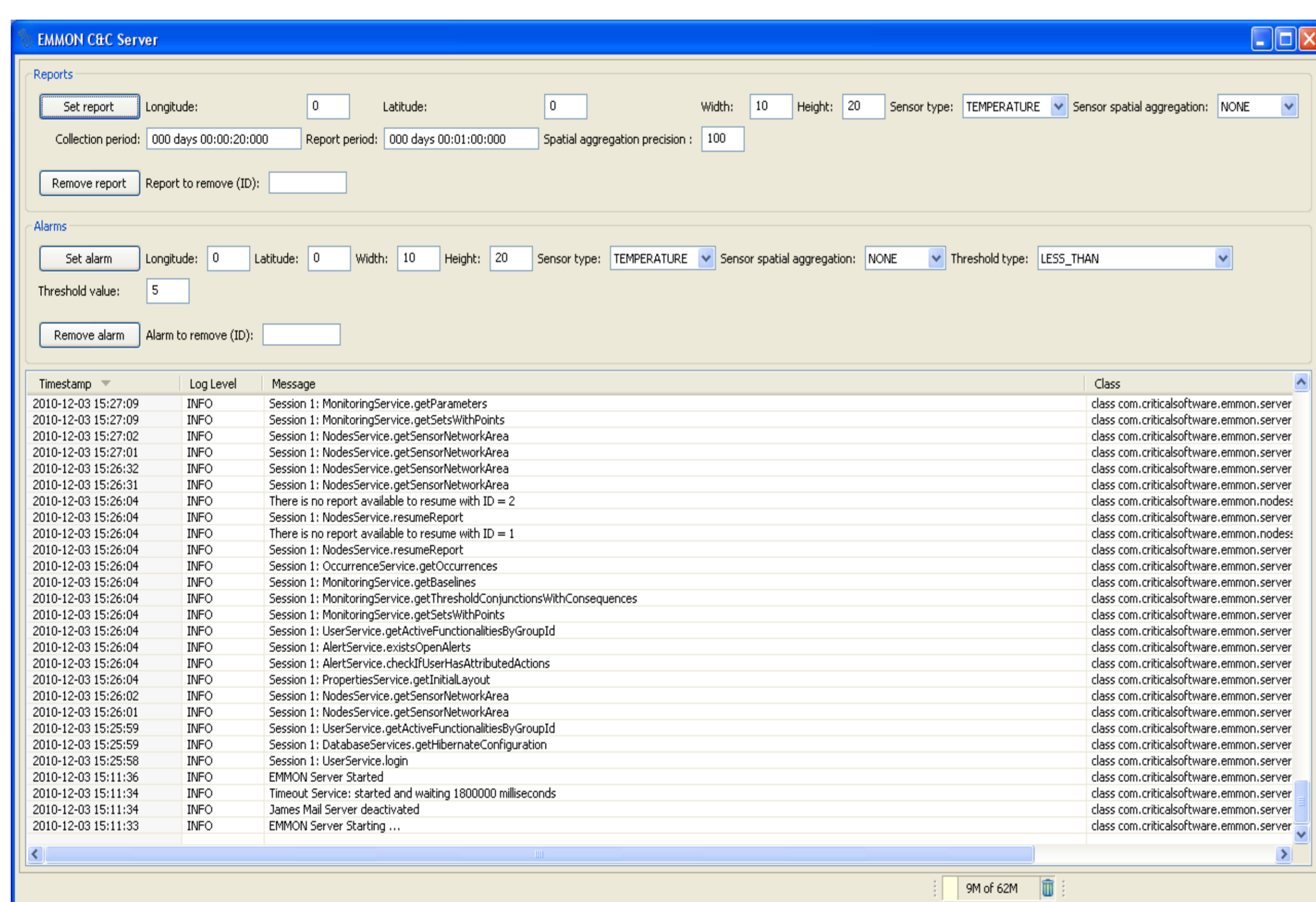


EMMON C&C Client

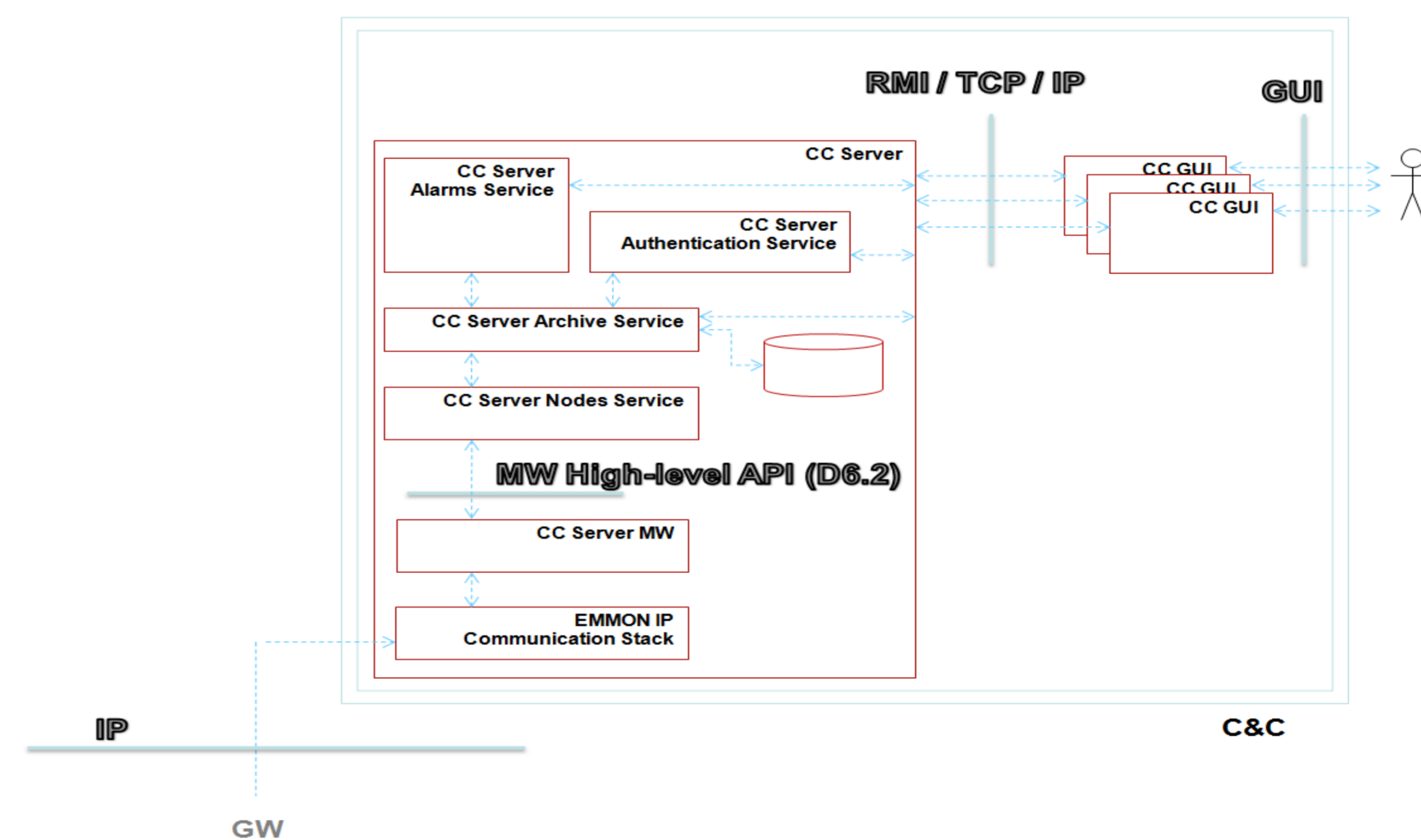
EMMON defined a novel user interface for Large-scale WSN monitoring. In this interface, instead of selecting individual nodes, users select **Monitoring Objects** – a set of sensors with some real world connotation for them.

DEMMON1 illustrates this new method by supporting monitoring objects defined geographically, in the form of rectangles. These areas are then used by all the layers of the network to identify relevant sensor nodes.

EMMON C&C Server



The C&C is the repository of all sensor data. Network gateways and C&C clients will connect to it. In the future it must have mechanisms of redundancy and data accessibility. Redundancy will provide safety, robustness and efficiency. Data accessibility will provide a broad range of third-party applications to access and use information produced by EMMON systems.



Improvements from DEMMON1:

- ❖ Room Qualifiers – Allow to identify elements with monitoring interest.
- ❖ CSV file export.
- ❖ Support for new coordinate systems.
- ❖ Rotated Monitoring Objects.
- ❖ Heat Maps.
- ❖ Support for multiple floors.
- ❖ New management features: Remote Reset.
- ❖ Measurement and Endangerment level classification.